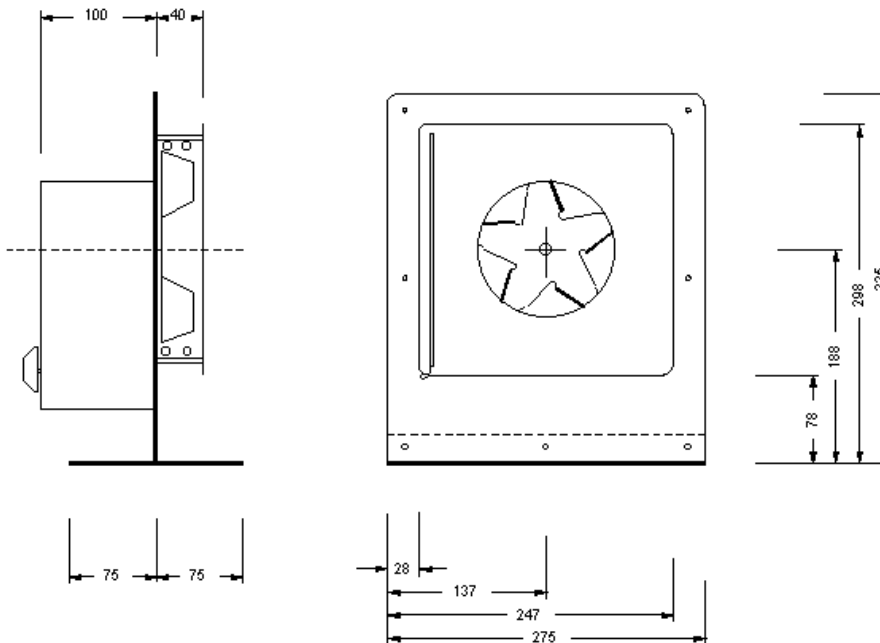
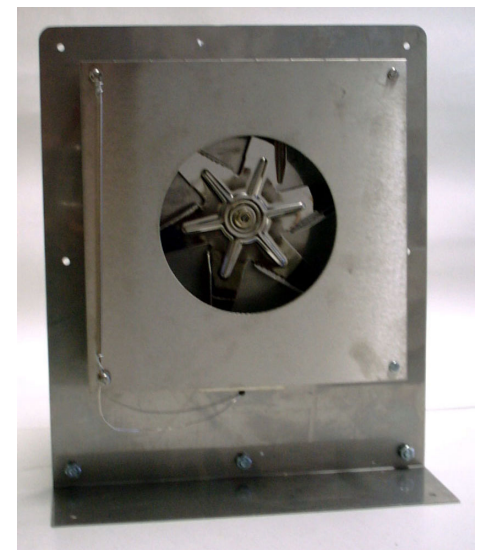


The tectra Standby Heater Fan is a unique heater device for baking UHV systems.

- 2.5 kW heating power
- 200 m³/h air circulation
- thermocouple control as standard
- saves bench space as it's part of the tent or box

The 2.5 kW heater power and the fan with 200 m³/h air circulation ensures a powerful yet even bakeout of a vacuum system. Standard feature is a temperature controller allowing a pre-set temperature in the range of 50° to 250°C for optimum protection of sensitive instruments, Viton® sealed valves etc.. Units available for 240V/50Hz.

Free standing design to be mounted onto or under system table. When not in use it can be taken away saving valuable bench space. Design optimised to be used with bakeout tents, but also easily usable also with bakeout boxes.



Further information: www.tectra.de/bakeout.htm