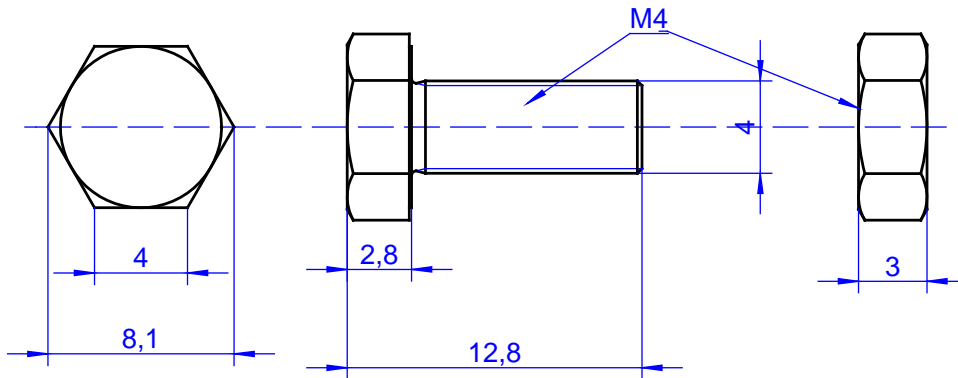
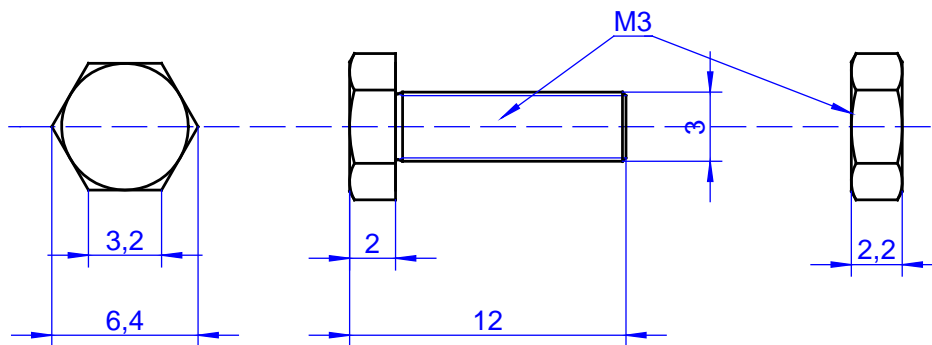


Ceramic screws and nuts of Al₂O₃, 99,5% purity

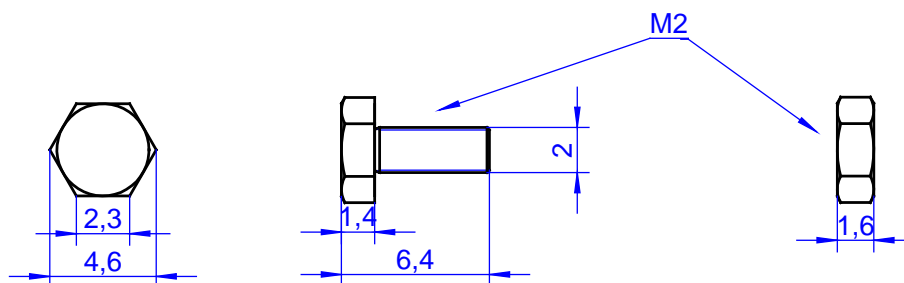
M4x10 Screw and Nut



M3x10 Screw and Nut



M2x5 Screw and Nut



Note: we recommend to use the screws only together with the supplied nut. The usage with metallic threads might not fit as the ceramic parts are manufactured in moulds and reach their final dimension after sintering. Hence they have other tolerances than metallic threads.