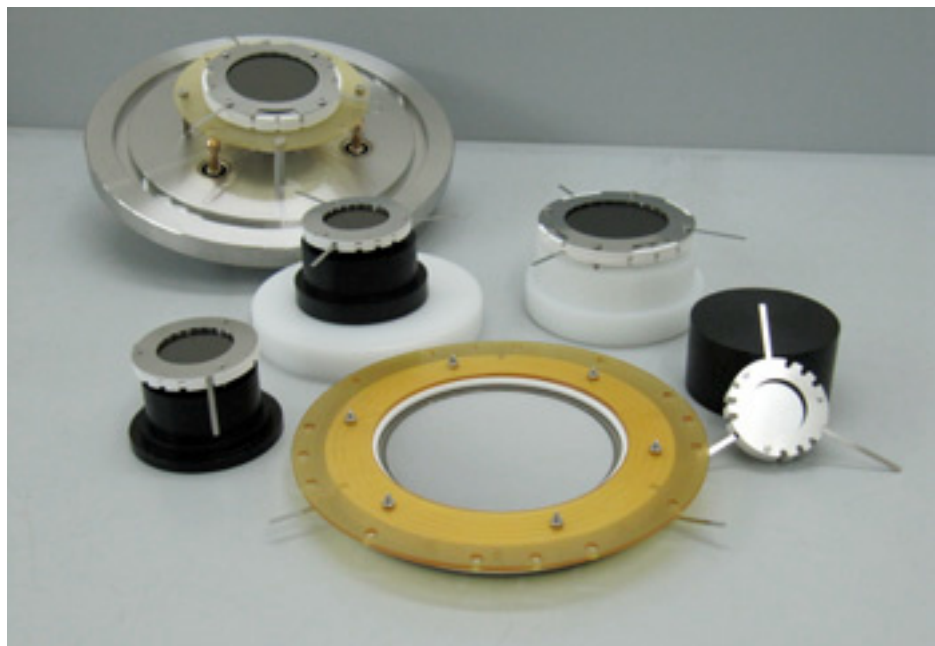


MCP detectors

for in-vacuum mount and flange mounted



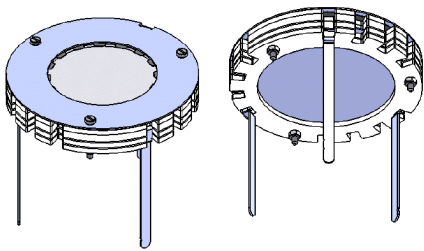
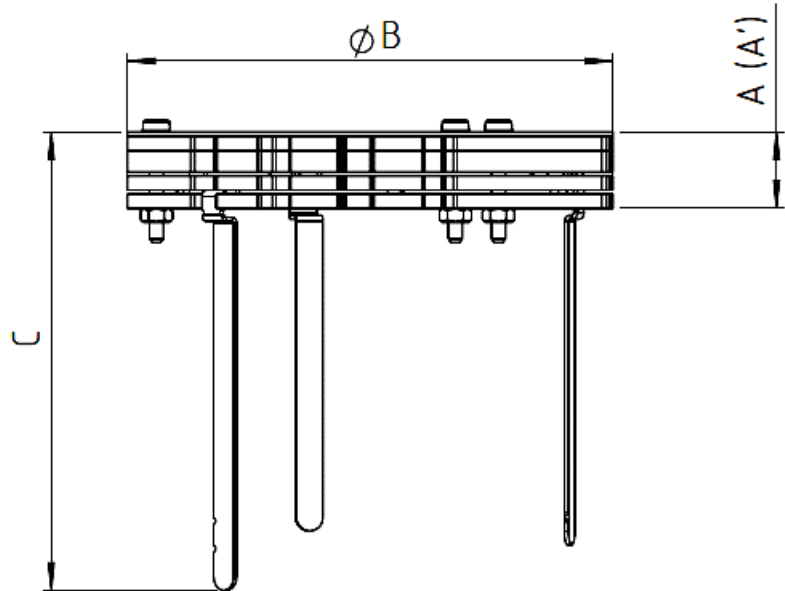
1. in vacuum mount MCP detectors

In-vacuum mount MCP detectors are available in 3 different types: short, regular and large mount. This is to ease mounting the detector in an existing experimental setup.

The short mount and regular mount are very similar. The difference is just that the 3 leads (MCP_{in} , MCP_{out} and Anode/Phosphor Screen) of the short mount are bent towards the detector's rear side to minimise the detector envelope. The long mount differs to the regular mount by an enlarged support plate with a lot of mounting holes on the circumference.

Specifications of the standard versions can be found below. Customer versions are available on request.

1.1 short mount

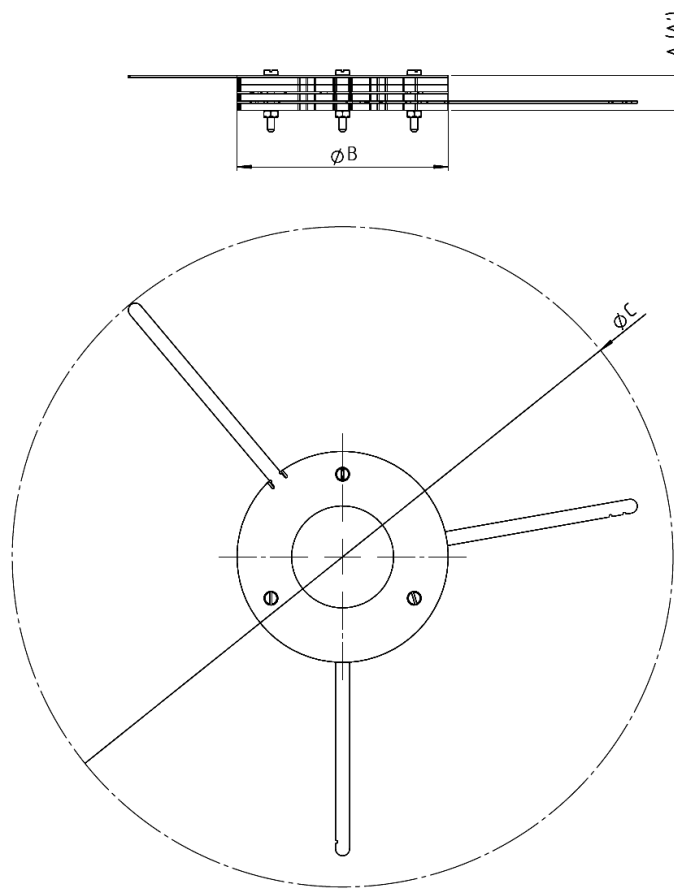
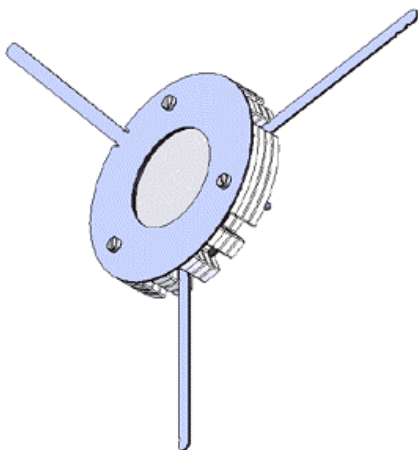


Dimension table:

MCP outer dia.	MCP effective dia.	A	A'	B	C
12mm	9	-	-	-	-
18mm	14	5,0	8,0	30	30
25mm	18,8	5,5	8,6	35	28
33mm	25	5,5	8,6	44	20
50mm	46	5,5	8,6	65	20
90mm	77	14	17,5	118	20

A - Metal Anode A' - Phosphor Screen

1.2. regular mount

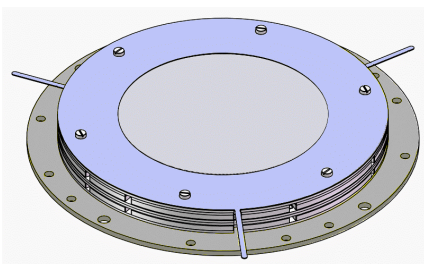
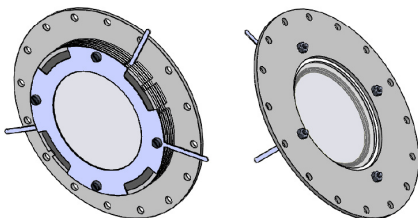
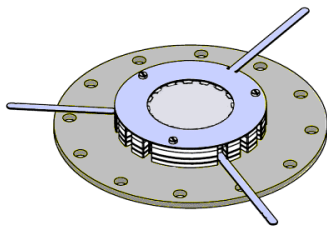
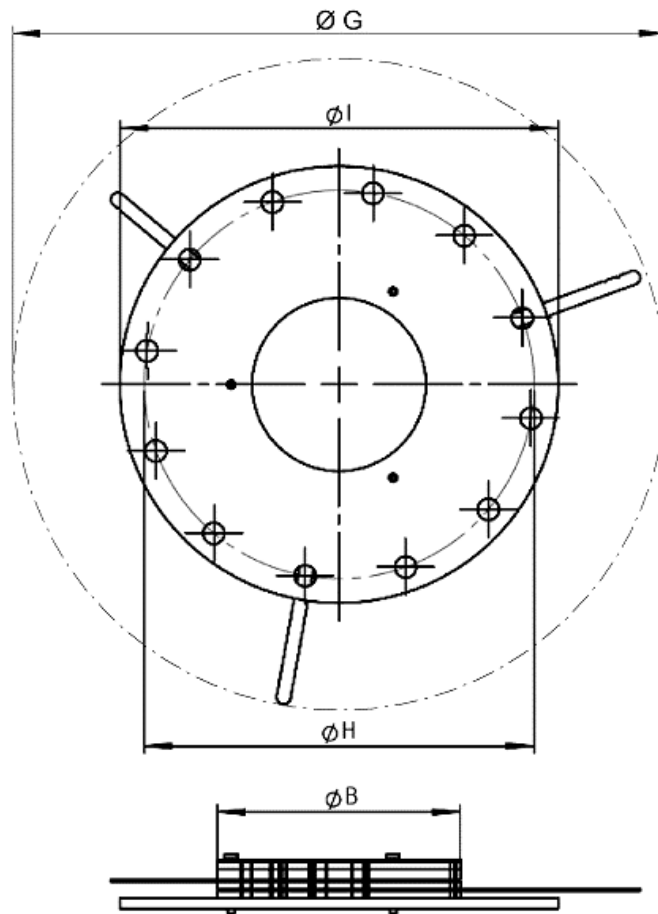


Dimension table:

MCP outer dia.	MCP effective dia.	A	A'	B	C
12mm	9	-	-	-	-
18mm	14	5,0	8,0	30	85
25mm	18,8	5,5	8,6	35	94
33mm	25	5,5	8,6	44	88
50mm	46	5,5	8,6	65	109
90mm	77	14	17,5	118	166

A - Metal Anode A' - Phosphor Screen

1.3. large mount



Dimension table:

MCP outer dia.	MCP eff. dia.	B	G	H	I*
12mm	9	20	57,3	56	63
18mm	14	30	93,6	56	63
25mm	18,8	35	93,6	85	92
33mm	25	44	88	85	92
50mm	46	65,8	100	85	92
90mm	77	118	178	132	140

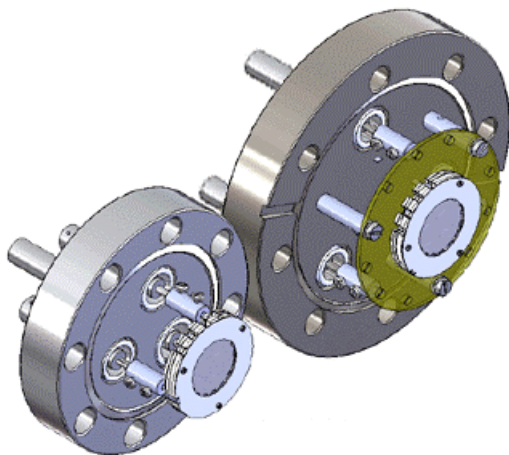
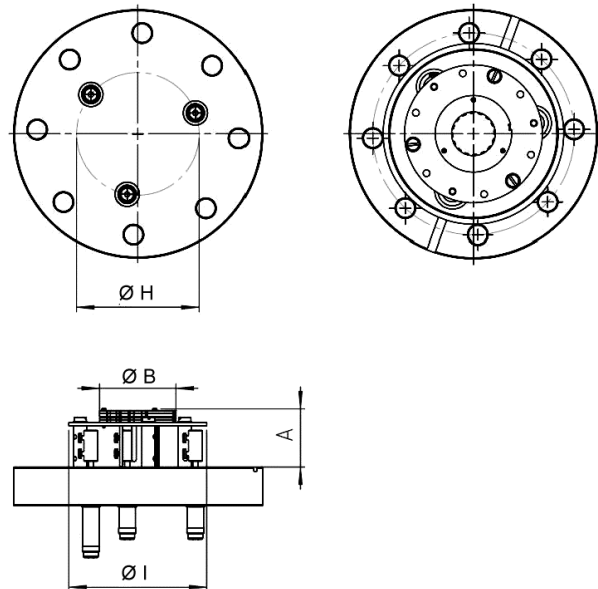
* other dimensions available on request

2. flange mounted MCP detectors

Flange mounted MCP detectors are available on a blank flange, typically for anode detectors, or viewport flange, typically for detectors with phosphor screens.

As standard detectors are built on CF flanges but can be mounted on ASA, ISO-K or other flanges on request. The flanges are equipped with 3 SHV feedthroughs, 2x SHV5 for MCP_{in} and MCP_{out} plus one SHV10 for the anode or phosphor screen. Air side connectors are included.

Different types of phosphor are offered, e.g. P43 (green CCD read out), P47 (blue PMT read out) or the fast phosphors PB1 (blue PMT read out) and PG2 (green CCD read out).



Dimension table

MCP outer dia	A	A'	B	H	I
12mm	28	x	20	56	63
18mm	28	31	30	56	63
25mm	29	32	35	85	93
33mm	29	32	44	85	92
50mm	29	32	66	85	92
90mm	37	41	118	132	140

A - Anode, A' Phosphor Screen

