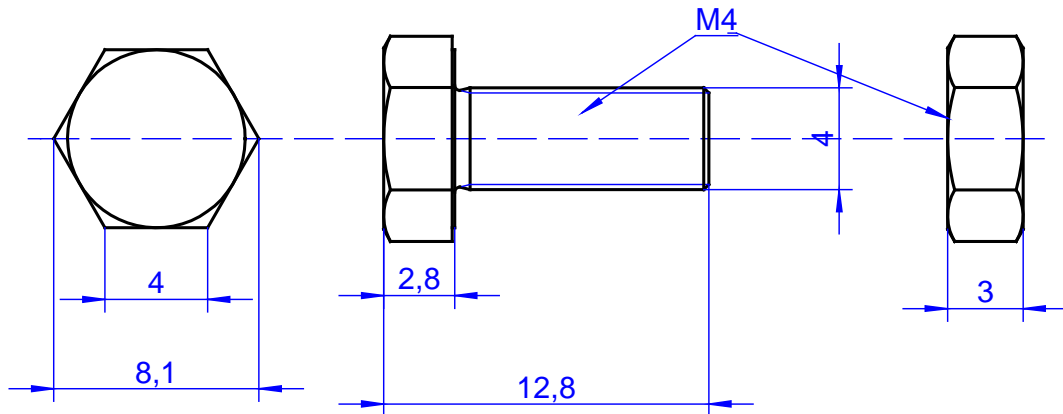
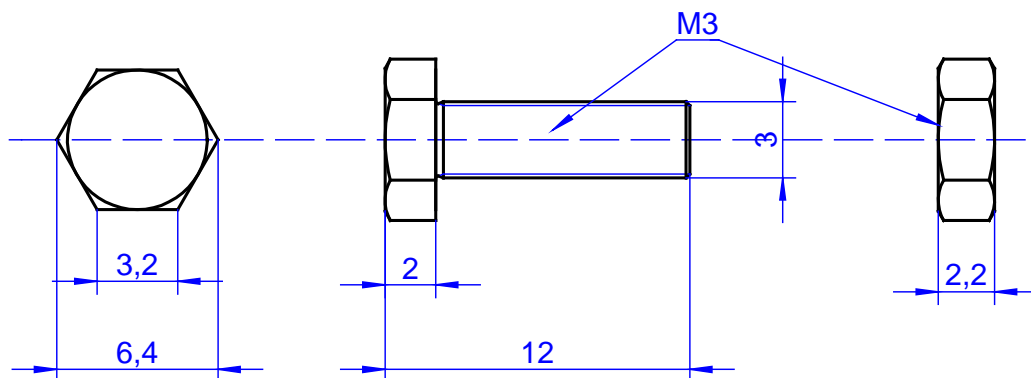


Ceramic Screws Al_2O_3



M3x10 Screw and Nut (DIN933)



M2x5 Screw and Nut (DIN933)

